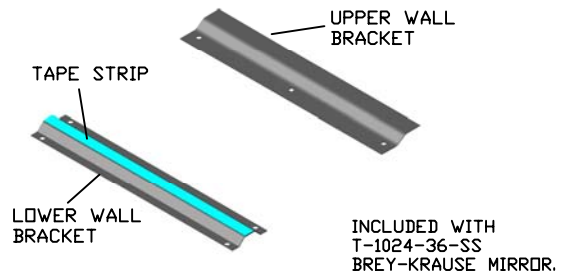
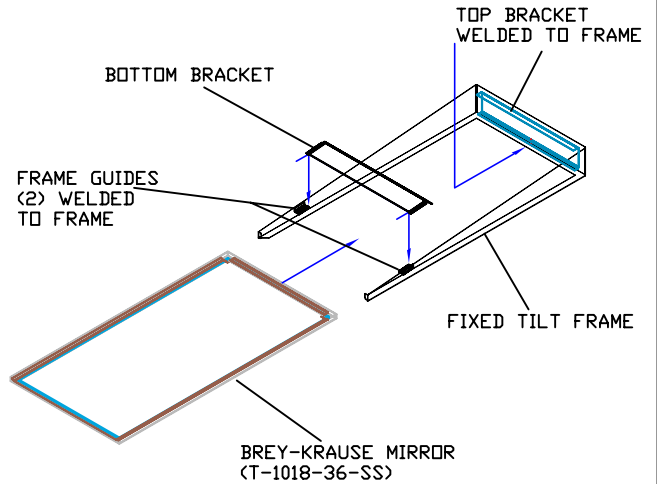
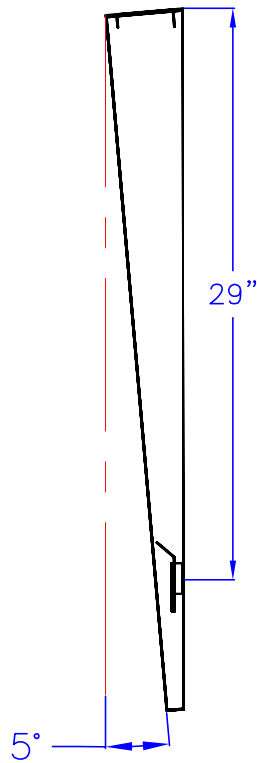
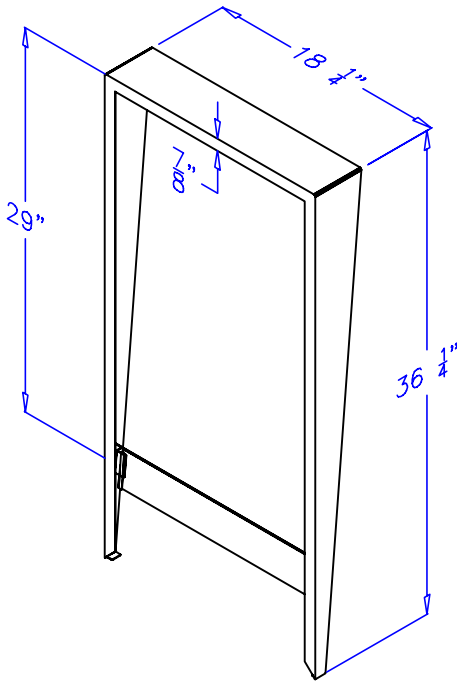




Technical Data

T-1118-36-SS

18" WIDTH X 36" HEIGHT FIXED TILT MIRROR FRAME



Construction:

FIXED TILT FRAME: 18 GAUGE TYPE 304 STAINLESS STEEL WITH TIGHTLY MITERED TOP CORNERS. FORMED ONE PIECE CONSTRUCTION.
 TOP BRACKET: 18 GAUGE TYPE 304 STAINLESS STEEL WELDED TO FRAME.
 FRAME GUIDES: 18 GAUGE TYPE 304 STAINLESS STEEL WELDED TO FRAME.
 BOTTOM BRACKET: 18 GAUGE TYPE 304 STAINLESS STEEL.
 FINISH: ALL EXPOSED SURFACES ARE SATIN #4.

Installation: ** REQUIRES A BREY-KRAUSE MIRROR (T-1018-36-SS) FOR USE AND INSTALLATION.

- SNAP BREY-KRAUSE MIRROR UNDER FRAME GUIDES & TOP BRACKET
- SLIDE BOTTOM BRACKET INTO FRAME GUIDES
- MOUNT UPPER WALL BRACKET LEVEL AT DESIRED HEIGHT.
- MOUNT LOWER WALL BRACKET @ 29" FROM THE TOP OF MIRROR.
- PEEL DOUBLE SIDED TAPE LINER OFF LOWER WALL BRACKET
- PLACE UPPER PORTION OF MIRROR ABOVE UPPER WALL BRACKET AGAINST WALL.
- CAREFULLY SLIDE TILT FRAME MIRROR DOWN TO FULLY ENGAGE MOUNTING HEM WITH UPPER WALL BRACKET.
- CAREFULLY PUSH LOWER PORTION OF MIRROR TOWARD WALL TO ATTACH TO INDUSTRIAL ADHESIVE ON LOWER WALL BRACKET.

Guide Specification:

ADA 18" WIDTH X 36" HEIGHT FIXED TILT MIRROR FRAME.
 REQUIRES A BREY-KRAUSE T-1018-36-SS MIRROR FOR USE AND INSTALLATION.
 TYPE 304 STAINLESS STEEL SATIN.
 EXPOSED SURFACES ARE SATIN #4 FINISH.

The manufacturer reserves the right to make changes in design and material without formal notice and without incurring obligation

© Copyright 2005
 Brey-Krause Manufacturing

Brey-Krause Manufacturing
 1209 West Lehigh Street, Bethlehem, PA 18018
 Phone: 610.867.1401 Fax: 610.866.1433
www.breykrause.com